



Perfect Fit Drapes

- Unique disposable drapes easily cover both the upper and main table surfaces.
- The clear plastic backdrop protects the sterile field while allowing light through to the main table surface.

Standard: Two layer laminate system includes absorbent layer - 9 mil thick.

- 418-S 4' table 10 per case
- 419-S 5' table 10 per case
- 420-S 6' table 10 per case

Heavy Duty: Three layer laminate system provides premium barrier protection, tear & puncture resistance, and a high capacity absorbent layer - 28 mil thick.

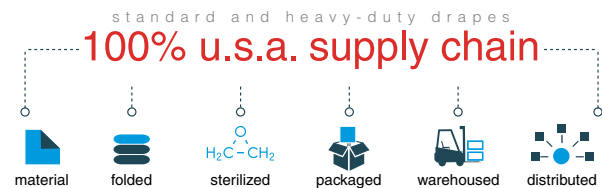
Designed specifically for large orthopedic and spinal procedures, this drape should be accepted by the most discerning OR staff as a "stand alone" drape when considering potential strike through.

- 418-HD-S 4' table 10 per case
- 419-HD-S 5' table 10 per case
- 420-HD-S 6' table 10 per case



Draping Video Demo

Scan the QR code to visit the OR Specific website and view videos detailing the features, benefits and draping procedure of the double-decker specialty back table.



100% USA Supply Chain

OR Specific's standard and heavy duty perfect fit drapes are proudly made and distributed in North America.

The purchase of the OR Specific drape provides educational opportunities as well as vocational training, employment, and life opportunities to adults with disadvantages and disabilities.



Time Saving Report

Request a copy of the time saving benefits for the double-decker specialty back table from your local representative or download the PDF at www.orspecific.com.

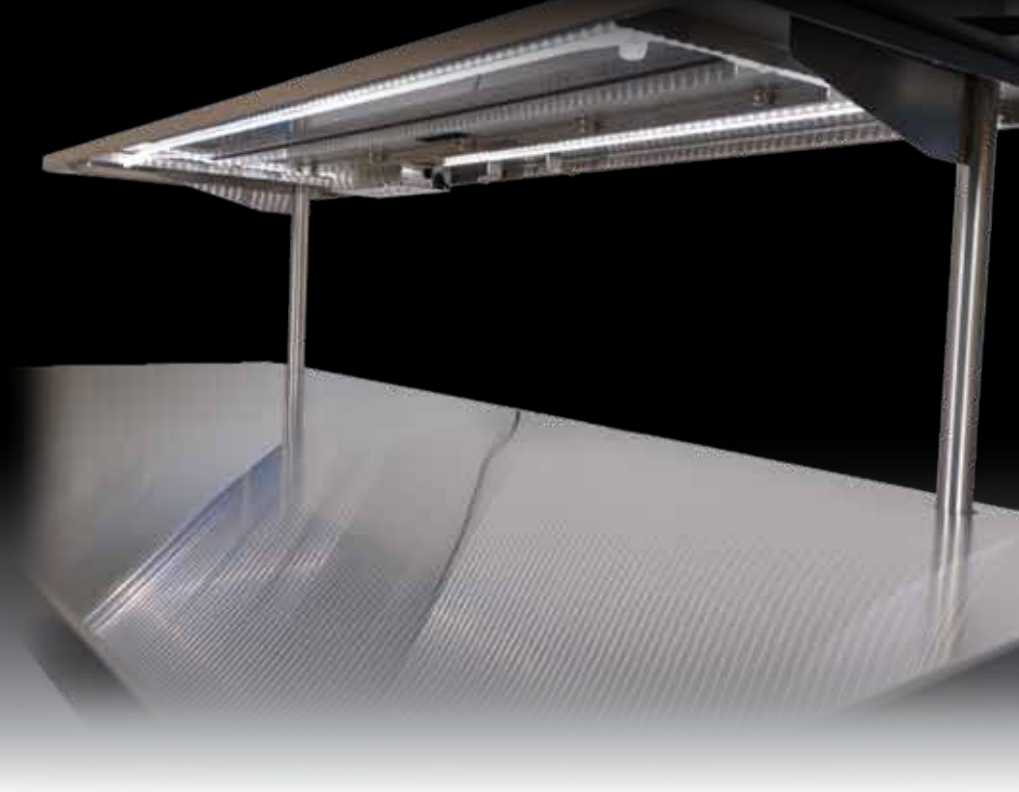


MMORS-50 03/21



Double decker

specialty back table



Maximize Space

Upper shelf creates additional space without compromising visibility.



Visibility

Easily arrange & organize instrument trays without the need for stacking.



Time

Improve setup efficiency & workflow during large surgical cases.



Drape

Create a sterile field using our unique **perfect fit™** drapes with transparent plastic backdrop.



double-decker + perfect fit drapes = *more usable OR space*

Double specialty back table decker

electric/lighted double-decker

NEW electronically height adjustable and LED illuminated table for visibility and varying cases.

427-ADJ-E 4' table

428-ADJ-E 5' table

429-ADJ-E 6' table



lighted double-decker

NEW LED illuminated double-decker surgical back table improves visibility in low lighted cases.

427-L 4' table

428-L 5' table

429-L 6' table



adjustable double-decker

OR Specific's adjustable back tables accommodate variable staff heights ranging from 4'11" to 6'6". The main surface of the table may be adjusted intraoperatively from a minimum height of 29" to a maximum height of 38".

427-ADJ 4' table

428-ADJ 5' table

429-ADJ 6' table



standard double-decker

The OR Specific standard double-decker back table is ideal in supporting any surgical procedure that utilizes either one or two tiers, especially when space is limited.

427 4' table

428 5' table

429 6' table



NEW electric/lighted



Standards

For patient and staff safety, the double-decker back table meets the highest hospital safety standards. IEC 60601-1 and UL approved.



Height Adjustment

The UP/DOWN buttons for height control are located to the right of the power supply. From the lowest position of 29" to the maximum height of 38" (main surface).

The upper shelf may be adjusted from 12" above the main surface to a maximum of 15".

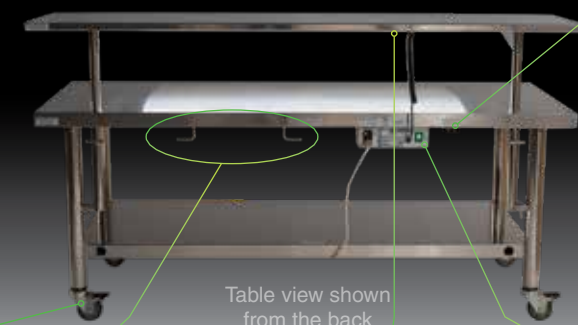


Table view shown from the back



Casters

Electronically adjustable back table feature four Total Lock Casters.

Casters measure 3.5" (89mm) diameter.



Cord Storage

Hospital-grade power cord can be wound around storage loops when not in use.

Cord length measures 9' 8" (3m).



LED Lights

Located on the underside of the upper shelf, the LED light strip is completely enclosed & water resistant. 6300K cool white light.

Durable and easy to clean.



Power Supply

Located at the back of the table are two independent ON/OFF toggle switches. One to control the entire table unit and a second toggle for the LED lights.



Double table features decker

- **Adjustable Main Surface**
29" minimum height
38" maximum height
- **Upper Shelf Set Positions**
12" above main surface
15" above main surface

- **Weight Capacity †**
150 lbs. upper shelf
200 lbs. main surface
200 lbs. storage shelf
- † weight uniformly distributed

- **Casters**
Four 3.5" casters
Two front locking casters
- **Construction**
18 gauge stainless steel



Two locking casters on front legs of table hold table stationary.



Table shown with upper shelf in storage position



T-bolts secure the upper tier once raised and positioned.



Post hole for storing upper tier when not in use.