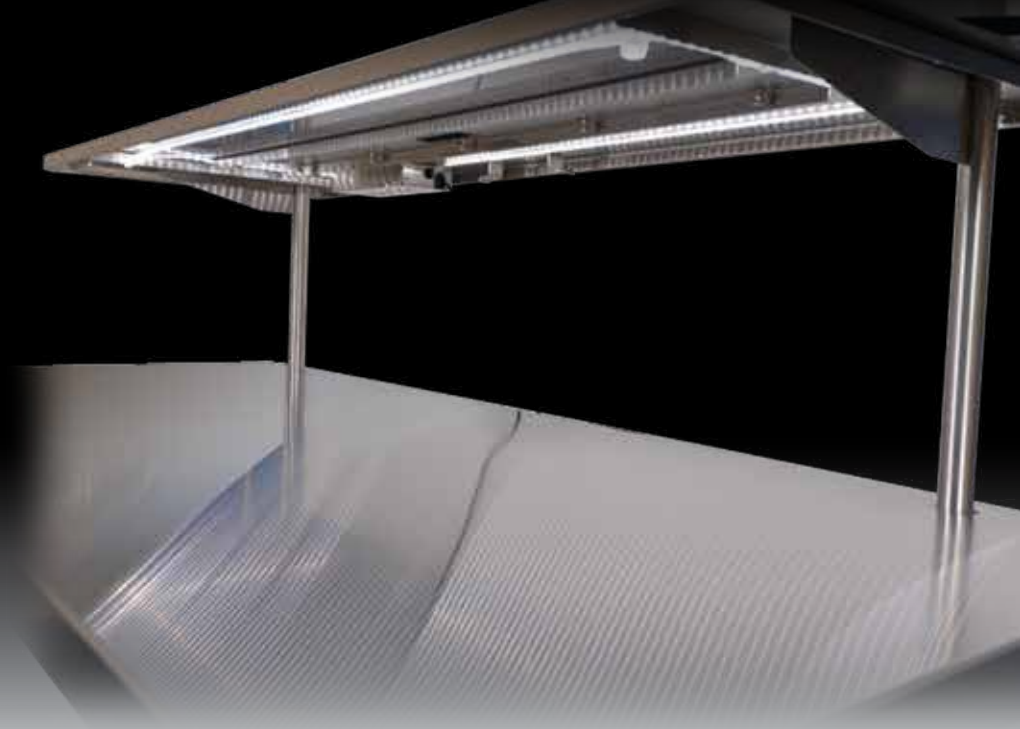




# Double specialty back table decker



## Maximize Space

Upper shelf creates additional space without compromising visibility



## Visibility

Easily arrange & organize instrument trays without the need for stacking



## Time

Improve setup efficiency & workflow during large surgical cases



## Drape

Create a sterile field using our unique **perfect fit™** drapes with clear plastic transparent backdrop.



**double decker + perfect fit drapes = more usable OR space**



# Double specialty back table decker

## electric/lighted double-decker

**NEW** electric height adjustable and LED illuminated table for visibility and varying cases.

**427-ADJ-E** 4' table

**428-ADJ-E** 5' table

**429-ADJ-E** 6' table



## lighted double-decker

**NEW** LED illuminated Double Decker surgical back table improves visibility in low lighted cases.

**427-L** 4' table

**428-L** 5' table

**429-L** 6' table



## adjustable double-decker

OR Specific's adjustable back tables accommodate variable staff heights ranging from 4'11" to 6'6". The main surface of the table may be adjusted intraoperatively from a minimum height of 29" to a maximum height of 38".

**427-ADJ** 4' table

**428-ADJ** 5' table

**429-ADJ** 6' table



## standard double-decker

The OR Specific standard Double Decker back table is ideal in supporting any surgical procedure that is implant and/or instrument intensive, especially when space is limited.

**427** 4' table

**428** 5' table

**429** 6' table





# NEW electric/lighted



## Standards

For patient and staff safety, the Double Decker back table meets the highest hospital safety standards. IEC 60601-1 and UL approved.



## Height Adjustment

The UP/DOWN buttons for height control are located to the right of the power supply. From the lowest position to the maximum height.

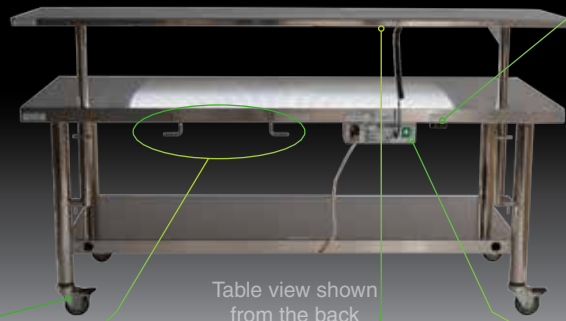


Table view shown from the back



## Casters

Electric adjustable back tables feature four Total Lock Casters.

Casters measure 3.5" (89mm) diameter.



## Cord Storage

Hospital grade power cord can be wound around storage loops when not in use.

Cord length measures 9' 8" (3m).



## LED Lights

Located on the underside of the upper shelf, the LED light strip is completely enclosed & water resistant.

6300K cool white light.

Durable and easy to clean.



## Power Supply

Located at the back of the table are two independent ON/OFF toggle switches. One to control the entire table unit and a second toggle for the LED lights.



# Double table features decker

- Adjustable Main Surface  
29" minimum height  
38" maximum height
- Upper Shelf Set Positions  
12" above main surface  
15" above main surface
- Weight Capacity  
150 lbs. upper shelf  
200 lbs. main surface  
200 lbs. storage shelf  
† weight uniformly distributed
- Casters  
• Four 3.5" casters  
• Two front locking casters
- Construction  
• 18 gauge stainless steel



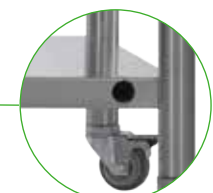
Two locking casters on front legs of table hold table stationary.



Table shown with upper shelf in storage position



T-bolts secure the upper tier once raised and positioned.



Post hole for storing upper tier when not in use.

## Perfect Fit Table Drapes

- Unique disposable drapes easily covers both the upper and main table surfaces.
- The clear plastic backdrop protects the sterile field while allowing light through to the main table surface.

**Standard:** Two layer laminate system includes absorbent layer - 9 mil thick.

**418-S** 4' table 10 per case

**419-S** 5' table 10 per case

**420-S** 6' table 10 per case

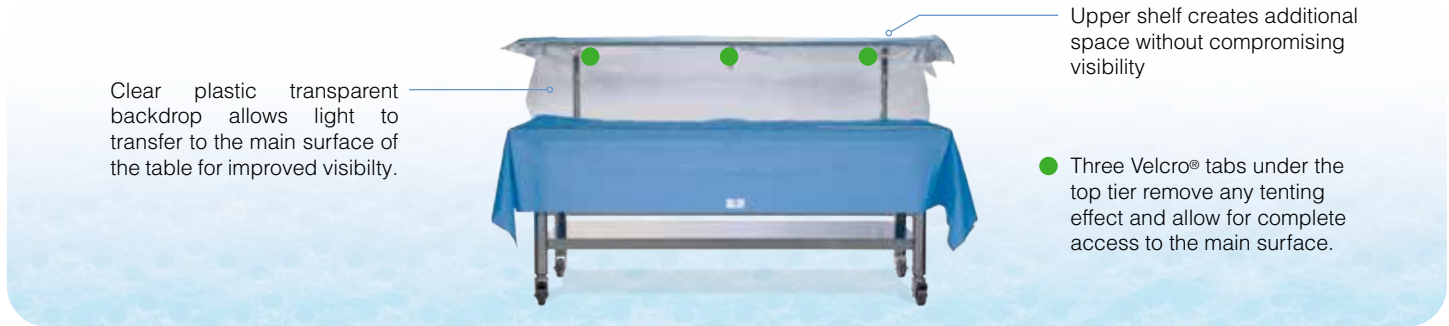
**Heavy Duty:** Three layer laminate system provides premium barrier protection, tear & puncture resistance, and a high capacity absorbent layer - 28 mil thick.

Designed specifically for large orthopedic and spinal procedures, this drape should be accepted by the most discerning OR staff as a "stand alone" drape when considering potential strike through

**418-HD-S** 4' table 10 per case

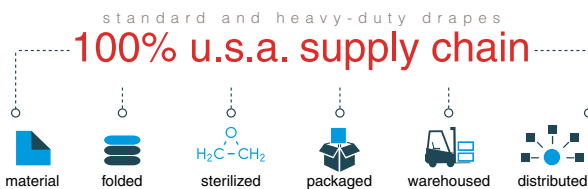
**419-HD-S** 5' table 10 per case

**420-HD-S** 6' table 10 per case



### Draping Video Demo

Scan the QR code to visit the OR Specific website and view videos detailing the features, benefits and draping procedure of the Double Decker specialty back table.



### 100% USA Supply Chain

OR Specific's two piece, standard and heavy duty perfect fit drapes are proudly made and distributed in North America.

The purchase of the OR Specific drape provides educational opportunities as well as vocational training, employment, and life opportunities to adults with disadvantages and disabilities.



### Time Saving Report

Request a copy of the time saving benefits for the Double Decker specialty back table from your local representative or download the PDF at [www.orspecific.com](http://www.orspecific.com).



MMORS-50  
03/21